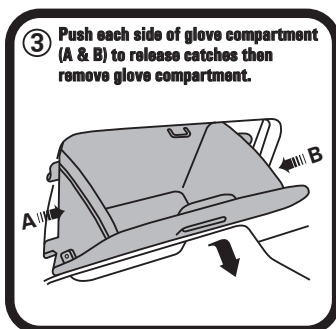
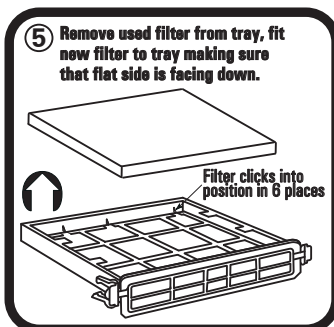
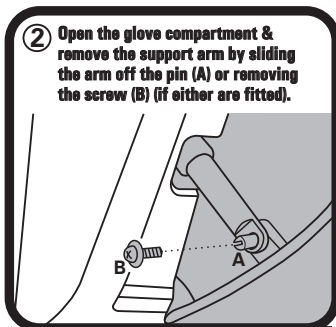
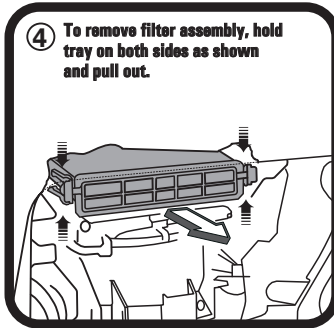


## FITTING INSTRUCTIONS FOR RYCO CABIN FILTER RCA140P/MS

### TOYOTA ECHO & RAV4 Filter is located behind glove box

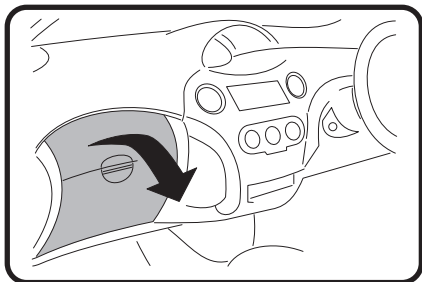


RYCO Group Pty Ltd  
29 Taras Ave Altona  
North Victoria 3025  
Australia  
[www.rycofilters.com.au](http://www.rycofilters.com.au)

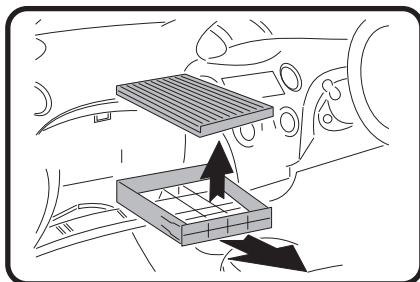
RYCO Group- A division of  
GUD (NZ) Holdings Limited.  
19 Bell Avenue, Otahuhu,  
Auckland 1060, New Zealand  
[www.ryco.co.nz](http://www.ryco.co.nz)

## FITTING INSTRUCTIONS FOR RYCO CABIN FILTER RCA140P/MS

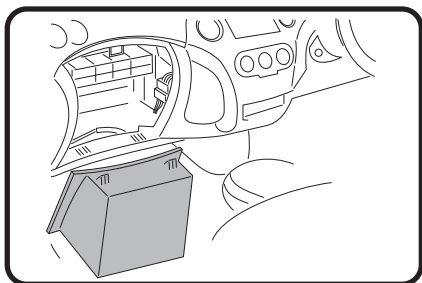
### TOYOTA YARIS (Filter located behind glove box)



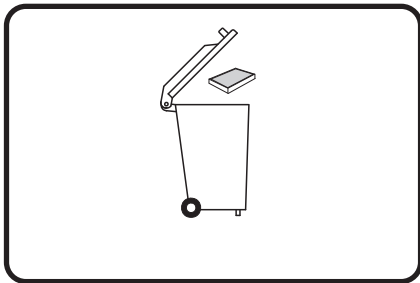
**1: Open glovebox, apply pressure to both sides of glovebox to release catches.**



**3: Remove used filter from tray. Fit new Ryco filter, refit all previously removed components.**



**2: Open glovebox as far as possible and remove.**



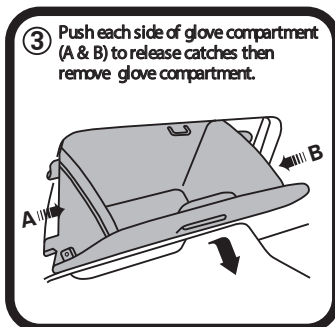
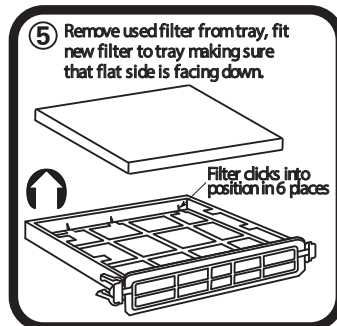
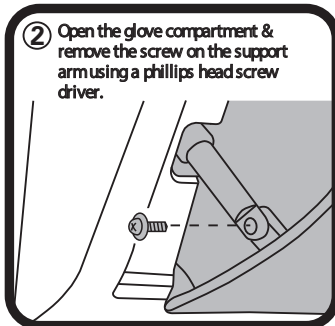
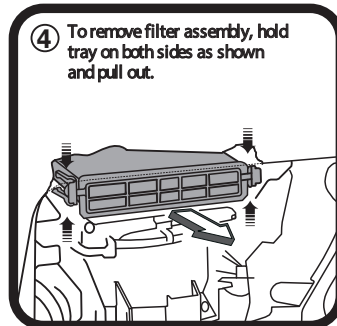
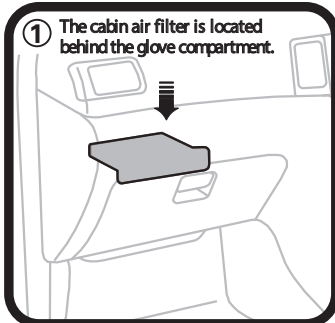
**4: Dispose of used filter correctly.**

# RYCO FILTERS



## FITTING INSTRUCTIONS FOR RYCO CABIN FILTER RCA140P/MS TOYOTA COROLLA

(Filter is located behind glove box)



Ryco Group Pty Ltd  
29 Taras Ave, Altona North  
Victoria 3025 Australia.  
[www.rycofilters.com.au](http://www.rycofilters.com.au)

Ryco Group  
A Division of GUD NZ Holdings Ltd  
626A Rosebank Road, Avondale  
Auckland New Zealand  
[www.ryco.co.nz](http://www.ryco.co.nz)