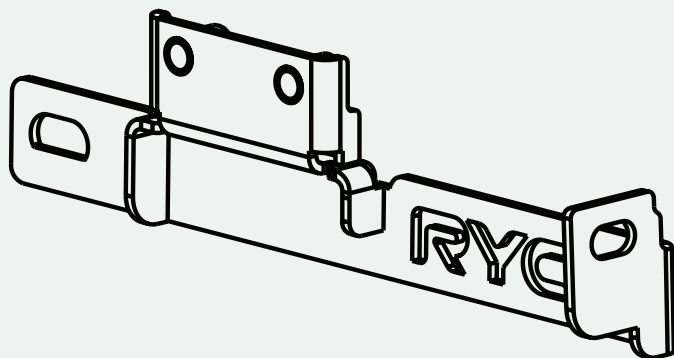


X115FW™

X115FW FUEL WATER SEPARATOR FITMENT INSTRUCTIONS

MITSUBISHI TRITON ML & MN 2.5Ltr- See RYCO catalogue for specific application details.

The Ryco X115FW kit includes mounting brackets specifically designed for the vehicle, and all components required to complete the installation of Ryco Z980SK16 series fuel water separator. It is recommended that the installation is conducted by a qualified mechanic following the procedures in this instruction sheet.

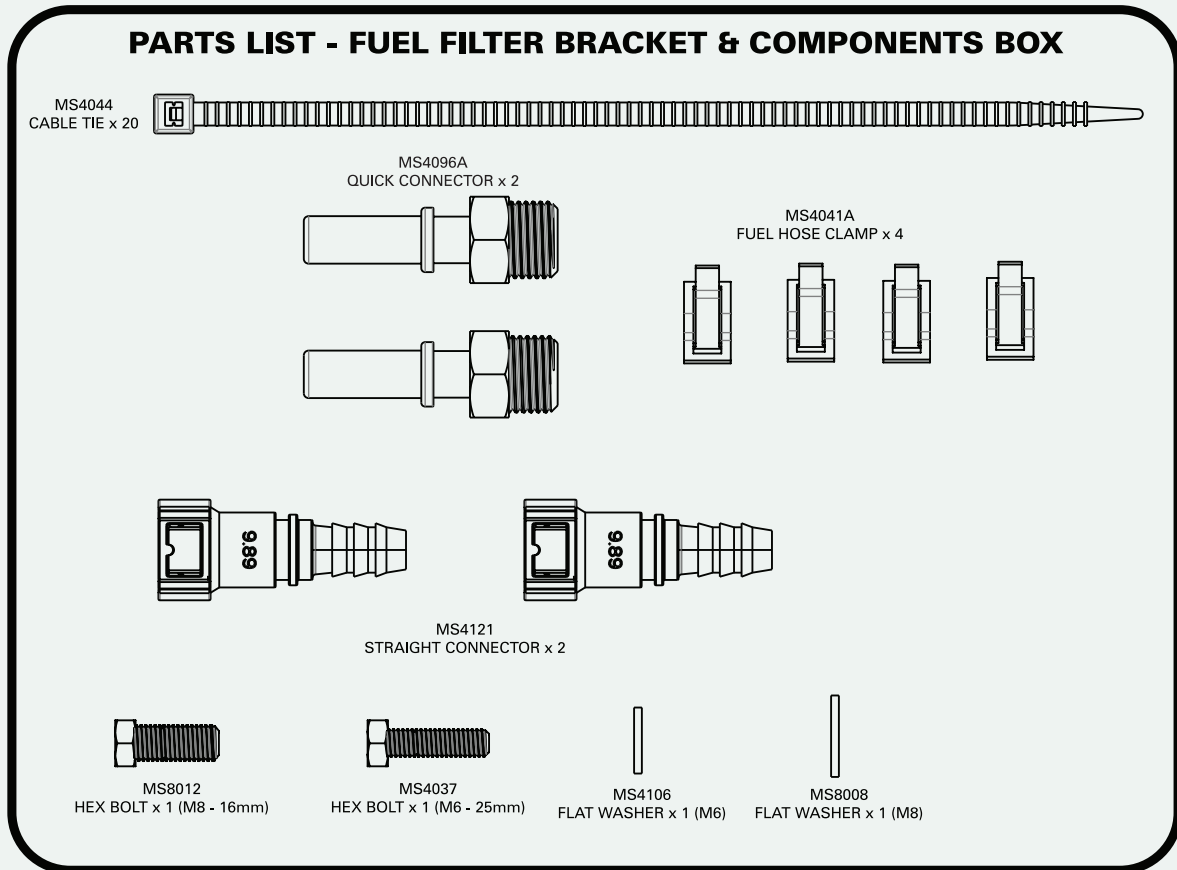


SECTION 1
FUEL WATER SEPARATOR MOUNTING BRACKET



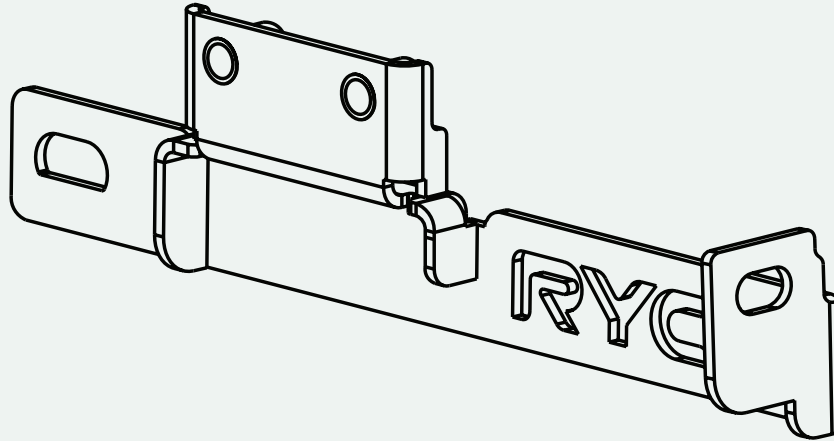
SECTION 2
FUEL WATER SEPARATOR

COMPONENTS INCLUDED IN X115FW KIT

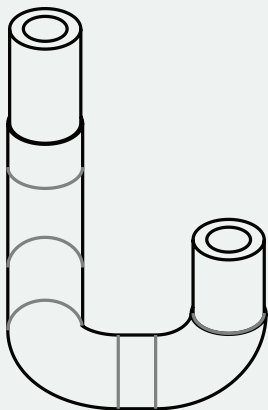


COMPONENTS INCLUDED IN X104FW KIT

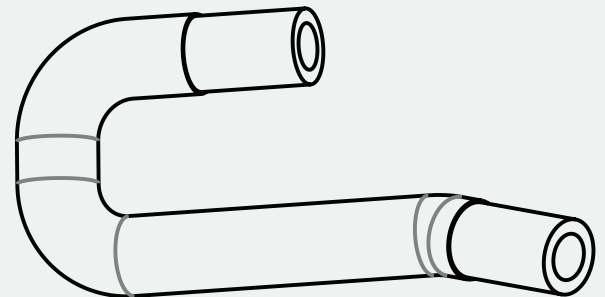
FB9813FC
FUEL WATER SEPARATOR MOUNTING BRACKET x 1



MF9813A
MOULDED FUEL HOSE x 1

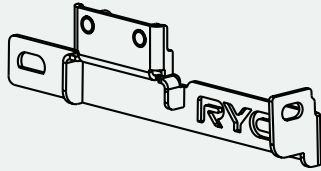


MF9813B
MOULDED FUEL HOSE x 1



SECTION 1 FUEL WATER SEPARATOR MOUNTING BRACKET FITMENT

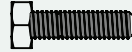
PARTS REQUIRED



FB9813FC
Fuel Water Separator Mounting Bracket



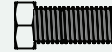
MS4106
Flat Washer x 1 (M6)



MS4037
Hex Bolt x 1 (M6 -25mm)



MS8008
Flat Washer x 1 (M8)



MS8012
Hex Bolt x 1 (M8 -16mm)

TOOLS & PPE REQUIRED

- Ratchet Set
- Work Gloves
- Socket Set

WORK PROCEDURE

- 1 Please note below diagrams for engine bay thread locations used for fitting FB9813FC fuel bracket.

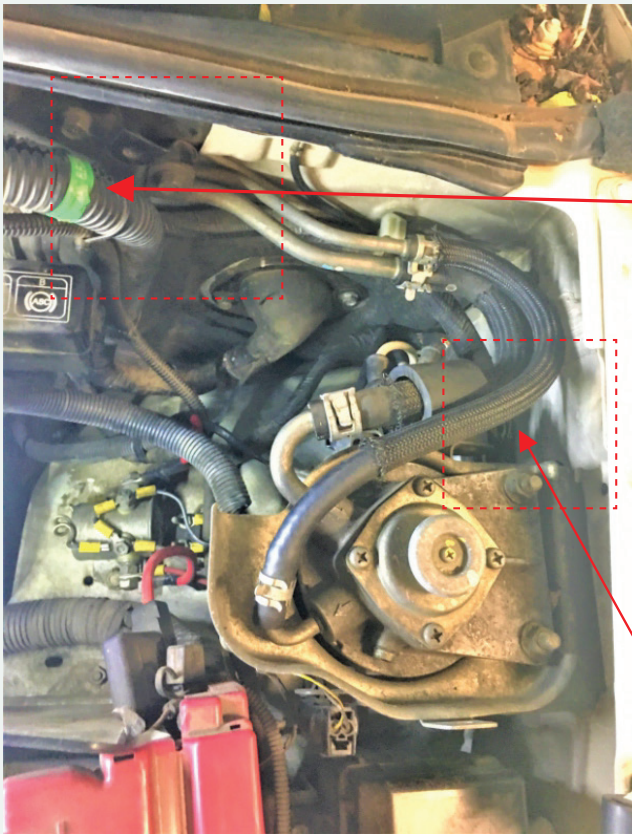


FIGURE 1A
FUEL INSTALLATION AREA



M8 Engine Bay Thread

FIGURE 1B
M8 THREAD LOCATIONS

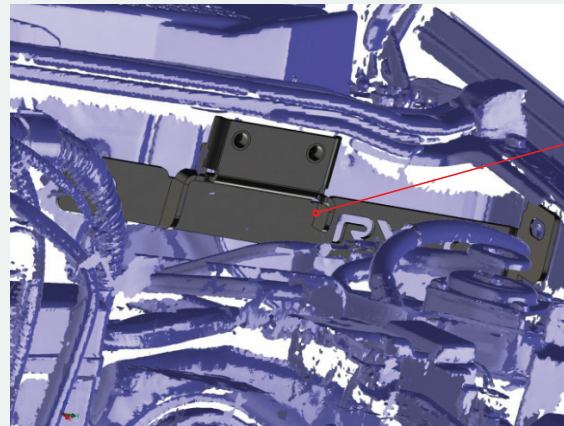


M6 Engine Bay Thread

FIGURE 1C
M6 THREAD LOCATIONS

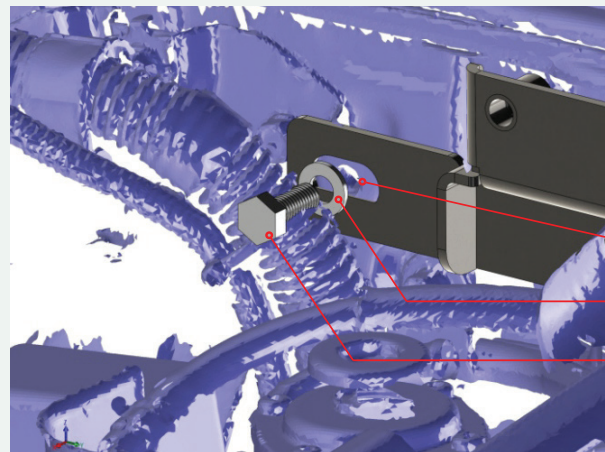
SECTION 1 FUEL WATER SEPARATOR MOUNTING BRACKET FITMENT

- 2 Note Fitment Location of FB9S13FC
- 3 Attach MSS00S MS flat washer to MS Hex Bolt MSS012, then screw MS Hex Bolt into MS engine bay thread as shown in FIG.3
- 4 Attach MS4106 M6 flat washer to M6 Hex Bolt MS4037, then screw M6 Hex Bolt into M6 engine bay thread as shown in FIG.4



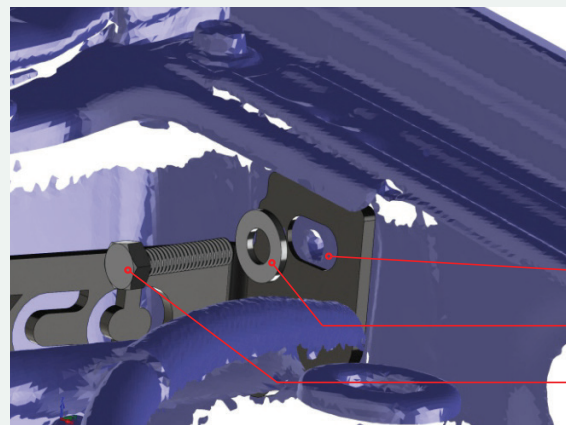
FB9813FC

FIGURE 2
FB9813FC BRACKET PLACEMENT



M8 Engine Bay Thread
MS8008 M8 Washer
MS8012 M8 Hex Bolt

FIGURE 3
M8 THREAD LOCATION



M6 Engine Bay Thread
MS8008 M8 Washer
MS8012 M8 Hex Bolt

FIGURE 4
M6 THREAD LOCATION

SECTION 2 FUEL WATER SEPARATOR INSTALLATION

- 5 Referring to FIG.7A/B, remove OEM fuel house that is connected between "from fuel tank" metal pipe & "OEM fuel filter housing inlet" metal pipe.
- 6 Referring to FIG.7B install assembled fuel hoses MF9813A and MF9813B as shown. MF9813A connects to "from fuel tank" metal pipe. MF9813B connects to OEM fuel filter housing inlet metal pipe.

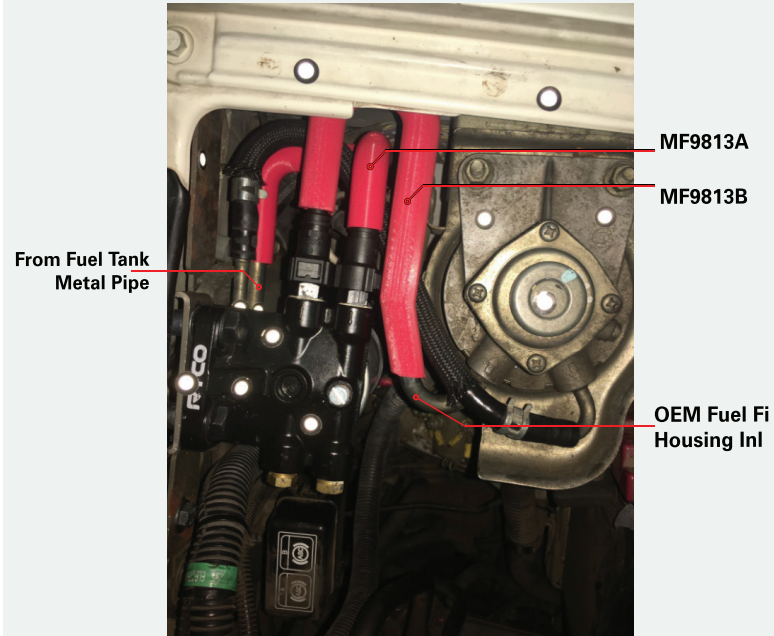


FIGURE 7A
FUEL HOSE FITMENT

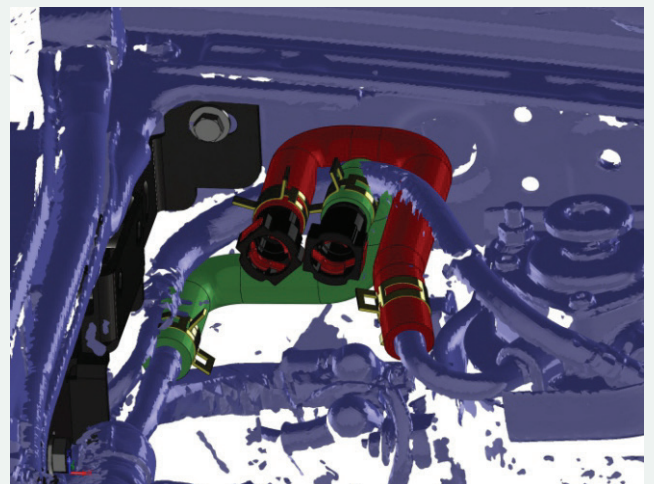


FIGURE 7B
FUEL HOSE FITMENT

SECTION 2 FUEL WATER SEPARATOR INSTALLATION

- 7 Using the M10 Bolts and Washers supplied in the Ryco Z980SK16 fuel water separator kit, attach the Z980SK16 to the FB9813FC bracket as shown in FIG. 6, page 7.
- 8 Starting with the longer Ryco fuel hose MF9813A, install the Straight connector end onto the inlet port on the Ryco fuel filter head. Then proceed to fit the straight connector end of MF9813B onto the outlet port of the Ryco fuel filter head. Connection has been successfully made when you hear a 'click' noise.

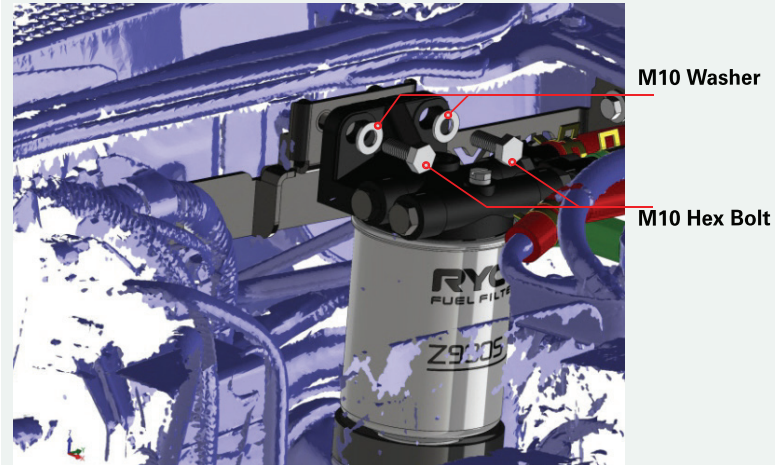


FIGURE 8
FILTER HEAD FITMENT

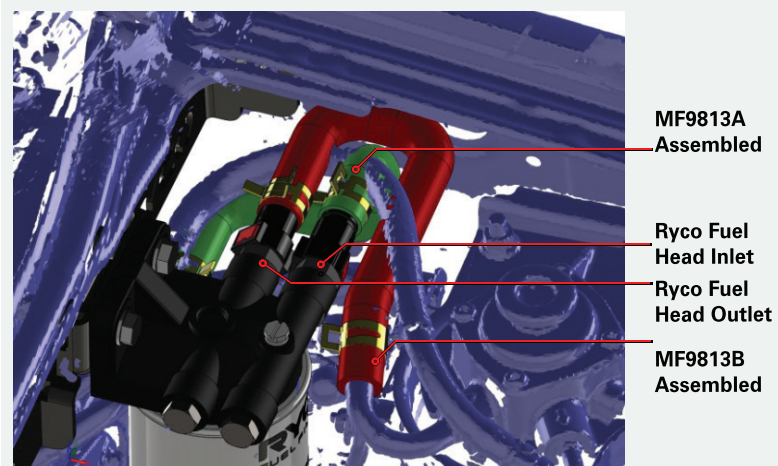


FIGURE 9
HOSE FITMENT TO FILTER HEAD

SECTION 2 FUEL WATER SEPARATOR INSTALLATION

WORK PROCEDURE

- 9 **WARNING:** The fuel system **MUST BE PRIMED** prior to starting the engine. **DO NOT OPEN THE BLEED SCREW ON THE RYCO Z980SK16**, keep closed.
- 10 Locate the priming button on top of the factory fuel filter and prime the fuel system by pumping the button repeatedly. Continue pumping until it is hard to press. The priming process could take approximately 5 - 10 minutes.
- 11 Once you can no longer depress the priming button, turn on the engine. With the engine running, check for fuel leaks on all the installed equipment.

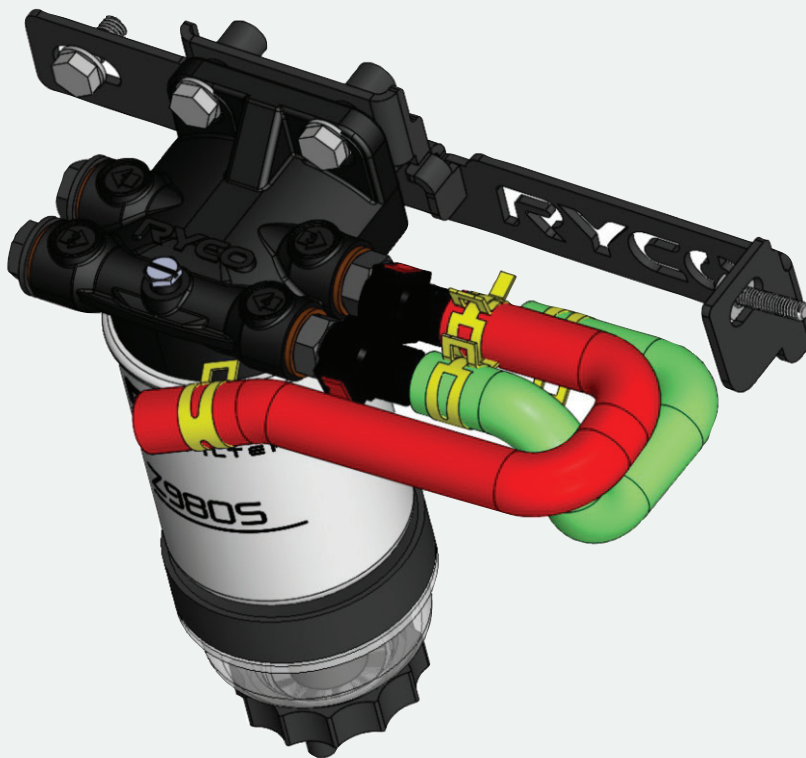


FIGURE 10
COMPLETED FUEL BRACKET INSTALLATION

X115FW™

X115FW FUEL WATER SEPARATOR FITMENT INSTRUCTIONS